

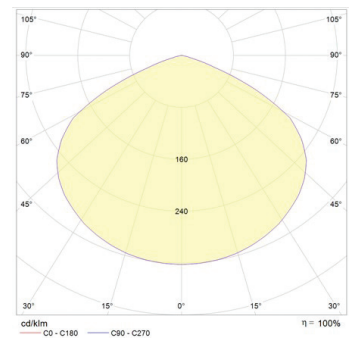
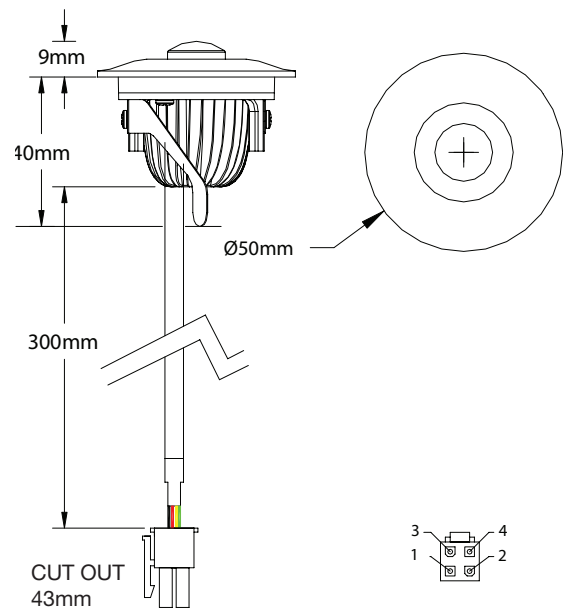


- Star LED recessed 3 hour emergency 3 hour 110° lens
- Star R is a stand-alone recessed 3 hour LED emergency
- Ideal luminaire for open area emergency lighting
- Low profile die cast aluminium body
- Integral high output LED 197 lumens
- Supplied in white RAL9016 as standard, available in black RAL9005 and silver, RAL9006
- Other finishes to order
- Luminaire supplied with battery and module, connected with plug and socket
- Integral LED indicator
- 110° beam
- Three hour duration in power fail mode
- Compact high capacity nickel hydride battery pack
- Conforms to EN60598-2-2

Options

- Self test, DALI

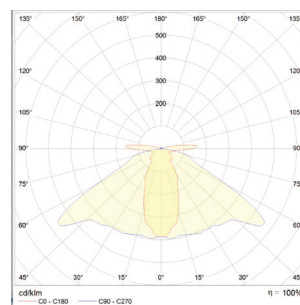
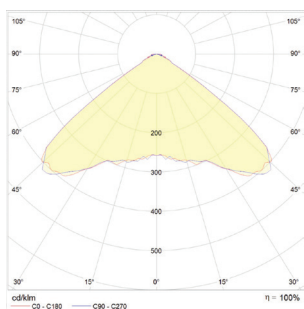
STR3 LED 197 lumens



Add suffix to catalogue number:

EM3ST: Self test. **EM3DA:** Dali addressable. **NM:** Non maintained.
S: Silver. **W:** White. **SF:** Any other finish to BS or RAL.

Please note that with the continuous rapid development in lighting technology, specification values may change. Contact our technical department for details. We reserve the right to amend or change details without prior notification. All performance data is taken at an ambient temperature of +25°C. Lumens and connected system load are subject to an initial tolerance of up to +/- 10%.



- Star LED recessed 3 hour emergency open area and corridor lens
- Star RL stand-alone recessed 3 hour LED emergency
- Open area and corridor lens versions
- Low profile die cast aluminium body
- Integrals high output LED 207 lumens
- Supplied in white as standard, available in black and silver
- Other finishes available to order
- Luminaire supplied with battery and module, connected with plug and socket
- Integral LED indicator
- Three hour duration in power fail mode
- Compact high temperature nickel cadmium battery
- Conforms to EN60598-2-2

Options

- Self test, DALI

STR3OA Open Area	LED 207 Lumens
STR3CO Corridor	LED 197 lumens



Please note that with the continuous rapid development in lighting technology, specification values may change. Contact our technical department for details. We reserve the right to amend or change details without prior notification. All performance data is taken at an ambient temperature of +25°C. Lumens and connected system load are subject to an initial tolerance of up to +/- 10%.

